



RAYZOR BEAM 2R™

SKU# RAY536

The new Rayzor Beam 2R™ features the 132W Platinum 2R lamp, 3° sharp narrow beam, 8 facet rotating prism, super fast 16 bit 3-phase pan/tilt motors, electronic strobe (1-13 fps) and 0-100% dimming, (13) dichroic colors including UV, CTO, CTB, plus white, (14) static gobos including (6) multi-sized beams, flicker free operation for TV and FILM, remote device management protocol support, 5pin in/out DMX and powerCON in/out connections, (6) button touch control panel, 230W max power consumption, and a multi-voltage universal auto switching power supply (120-240v).



FEATURES

- 132W Platinum 2R Lamp
- 49,470 LUX 4596 FC @42.9' (15M) / 7,500K, >75 CRI
- 3° Sharp Narrow Beam
- 8 Facet Rotating Prism
- Super Fast 16 bit 3-Phase Pan/Tilt Motors
- Electronic Strobe (1-13 fps) and 0-100% Dimming
- (13) Dichroic Colors Including UV, CTO, CTB + White
- (14) Static Gobos Including (6) Multi-Sized Beams
- Flicker Free Operation for TV and FILM
- Remote Device Management Protocol Support
- 230W Max Power Consumption



ELATION | RAYZOR BEAM 2R™ | Product Specification Sheet

Specifications are subject to change without notice ©Elation Professional

Elation Professional USA | 6122 S. Eastern Ave. | Los Angeles, CA. 90040
323-582-3322 | 323-832-9142 fax | www.elationlighting.com | info@elationlighting.com

Elation Professional B.V. | Junostraat 2 | 6468 EW Kerkrade, Netherlands
+31 45 546 85 66 | +31 45 546 85 96 fax | www.elationlighting.eu | info@elationlighting.eu

PRODUCT SPECIFICATIONS

FEATURES

3° Sharp Narrow Beam
 Super Fast 16 bit 3-Phase Pan and Tilt Motors
 CTO and CTB Color Correction
 Flicker Free Operation for TV and FILM
 Remote Device Management Protocol Support

SOURCE

132W Platinum 2R Lamp
 6,000 Hour Average Life

PHOTOMETRIC DATA

49,470 LUX 4596 FC @42.9' (15M) / 7,500K, >75 CRI

EFFECTS

Strobe (1-13 fps)
 Electronic Dimming: 0% - 100%
 8 Facet Rotating Prisms and Macros

COLOR

(13) Dichroic Colors Including UV, CTO, CTB + White

GOBOS

(14) Static Gobos Including (6) Multi-Sized Beams

CONTROL / CONNECTIONS

(3) DMX Channel Modes (10/12/16)
 Remote Device Management
 Pan Movement: 540°/630° / Tilt Movement: 270°
 6 Button Control Panel
 Full Color 180° Reversible LCD Menu Display
 16 Bit 3-Phase Pan/Tilt Motors
 5pin DMX In/Out
 powerCON In/Out

SIZE / WEIGHT

Length: 11.6" (295mm)
 Width: 9.6" (245mm)
 Vertical Height: 16.6" (421mm)
 Weight: 23.0 lbs. (10.4 kg)

ELECTRICAL / THERMAL

AC 100-240V - 50/60Hz
 230W Max Power Consumption
 14°F to 113°F (-10°C to 45°C)

APPROVALS / RATINGS

CE Approved
 cETLus Pending
 IP20 Rated

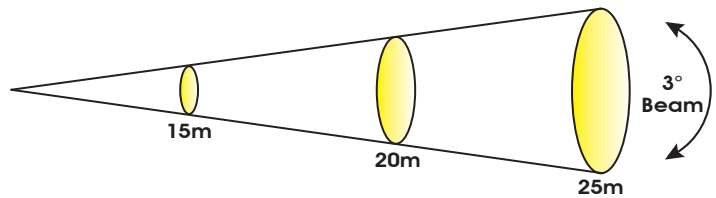
INSTALLATION

Rigging: Omega Bracket
 Working Position: Flat Surface / Inverted (180°)

INCLUDED ITEMS

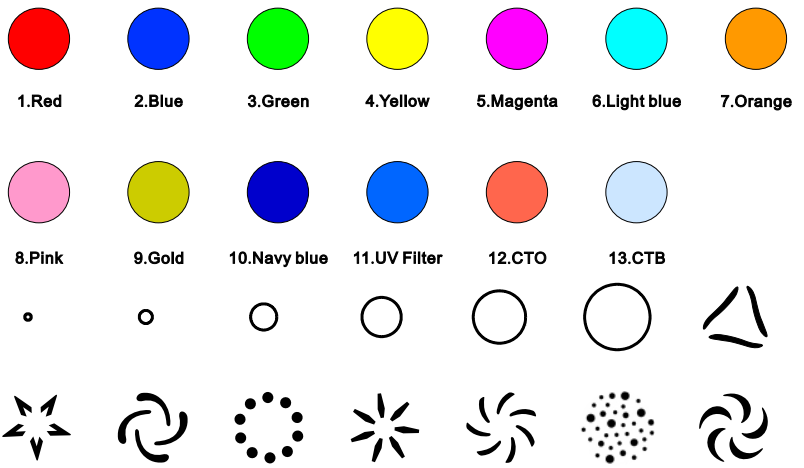
- (1) Omega Bracket
- (1) 5pin XLR Cable
- (1) powerCON Cable
- (1) Safety Cable

PHOTOMETRIC DATA

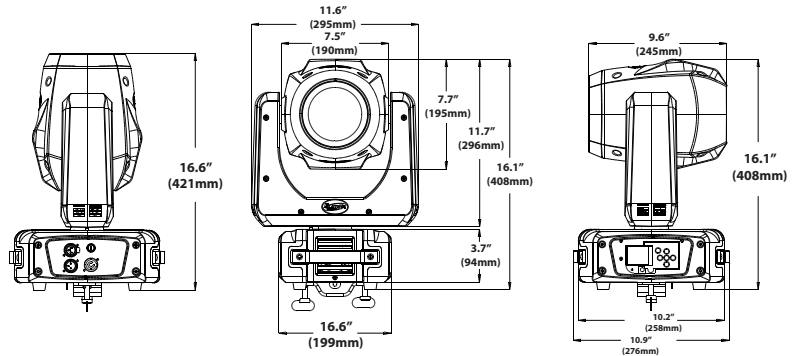


Distance	m 15		ft 49.2		m 20		ft 65.6		m 25		ft 82.0	
	3° Beam Diameter	lux	fc	3.4	lux	fc	1.3	lux	fc	1.9,200	1,784	
FULL ON	0.78	2.6	1.04	3.4	1.3	4.3	1.9,200	1,784				

COLORS AND GOBOS



DIMENSIONAL DIAGRAMS



OPTIONAL ACCESSORIES

ORDER CODE	ITEM
TRIGGER CLAMP	Heavy Duty Wrap Around Hook Style Clamp
** pending **	Flight Case For Rayzor Beam 2R™
EWDMSYSTEM	Wireless DMX System (1 Transmitter, 1 Receiver)
EWDMXT	Wireless DMX Transmitter
EWDMXR	Wireless DMX Receiver
AC5PDMX5PRO	5 ft. (1.5m) 5pin PRO DMX Cable
AC5PDMX10PRO	10 ft. (3m) 5pin PRO DMX Cable
AC5PDMX15PRO	15 ft. (4.5m) 5pin PRO DMX Cable
AC5PDMX25PRO	25 ft. (7.5m) 5pin PRO DMX Cable
	Additional cable lengths available: 50, 100 ft (15.2, 30.5m)



Specifications are subject to change without notice ©Elation Professional

Elation Professional USA | 6122 S. Eastern Ave. | Los Angeles, CA. 90040
 323-582-3322 | 323-832-9142 fax | www.elationlighting.com | info@elationlighting.com

Elation Professional B.V. | Junostraat 2 | 6468 EW Kerkrade, Netherlands
 +31 45 546 85 66 | +31 45 546 85 96 fax | www.elationlighting.eu | info@elationlighting.eu